

Model . 105116-200 Ladies Trousers, Pull on.

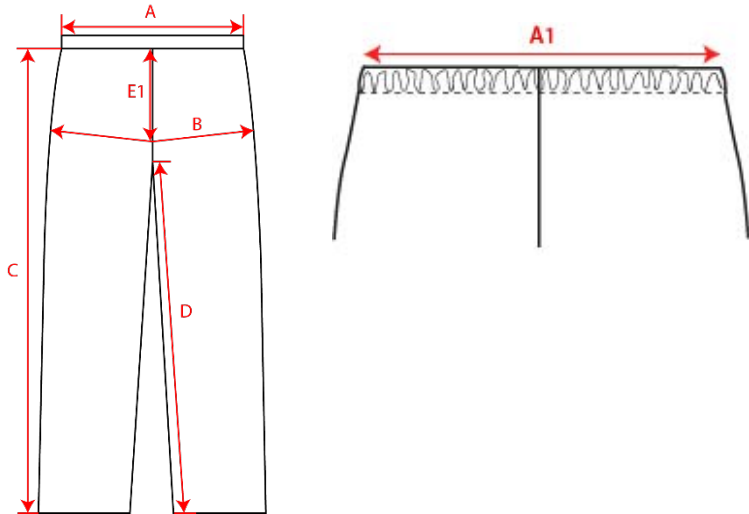


_ Finished measures before washing

	Size	2XS	XS	S	M	L	XL	2XL	3XL	4XL	5XL	6XL	Tolerance
A	1/2 Waist width	26,5	29,5	33	36	40	43,5	47,5	50	55	58,5	62	+/- 1,0 cm
A1	1/2 Waist width stretched	41,2	45,2	49,2	53,2	57,2	61,2	65,2	69,2	73,2	77,2	81,2	+/- 2,0 cm
B	1/2 Hip width	43	47	51	55	59	63	67	71	75	79	83	+/- 1,0 cm
E1*	Rise (Help measure for hip)	15,5	15,5	15,5	15,5	15,5	17,5	17,5	17,5	17,5	17,5	17,5	
C	Side length	100	101	102	103	104	105	106	107	108	109	110	+/- 2,0 cm
D	Inseam length	82	82	82	82	82	82	82	82	82	82	82	+/- 1,5 cm

Last edited: 30.04.19. NNJ

A	Elastic must be relaxed
A1	Elastic must be stretched as far as possible.
E1*	How deep hip measure shall be taken from waist
C	Measured excl.waistband
D	Measured from crotch seam to bottom of leg



Please note: Not all sizes are available in stock program. We advise to contact NYBO WORKWEAR A/S customer service or homepage.

Please note: Final measures will depend on tolerance in garment making (See above), and measuring method (+/- 0,5 cm)
 Also note: Washing and drying conditions in industrial laundering can further more give a shrinkage of up to 3-5 % (Depending of material)
 Please also consult our recommendation for industrial washing/drying on www.nybo.com.